



REHABILITATION CARE
BARIATRIC
SHOWER • COMMUNE
MODE

Bariatric Shower/Commode **600 lb. capacity**

Included in Activeaid's family of products are shower/commode chairs for the heavier weight client. The model 720 shower/ commode chair is designed to aid both client and caregiver with safe and easy bathroom and shower activities. Many features of the 720 help to fulfill the needs of the rehabilitating patient, long-term care or home bound clients. The stainless steel frame combines high strength with low maintenance, making the model 720 the highest quality shower/commode chair made for bariatric clients.

STANDARD FEATURES

- 600 lbs. weight capacity
- Four seat widths: 20", 22", 24" and 26"
- Seat depth is 20"
- Stainless steel, rigid frame
- 6" front casters
- 20" rear wheels
- Ensolite™ seamless seat and back cushion
- Full width padded seat for added support
- Full length swingaway, removable padded arms
- Lock down arms
- Flip up and removable one-piece footboard
- Push handles
- Removable commode pan
- Toggle wheel locks
- Anti-tippers

OPTIONS

- Safety strap
- Solid padded seat
- Heal loops
- Arm troughs
- Step-on locking front casters
- Wheel lock handle extensions



Model 720

CUSTOMIZE

Special situations create special needs. Our rehab engineering and customer service staff are trained and dedicated to expertly and efficiently work with custom applications. Our unique method of production enables us to respond to your needs with the fastest turnaround times in the industry.

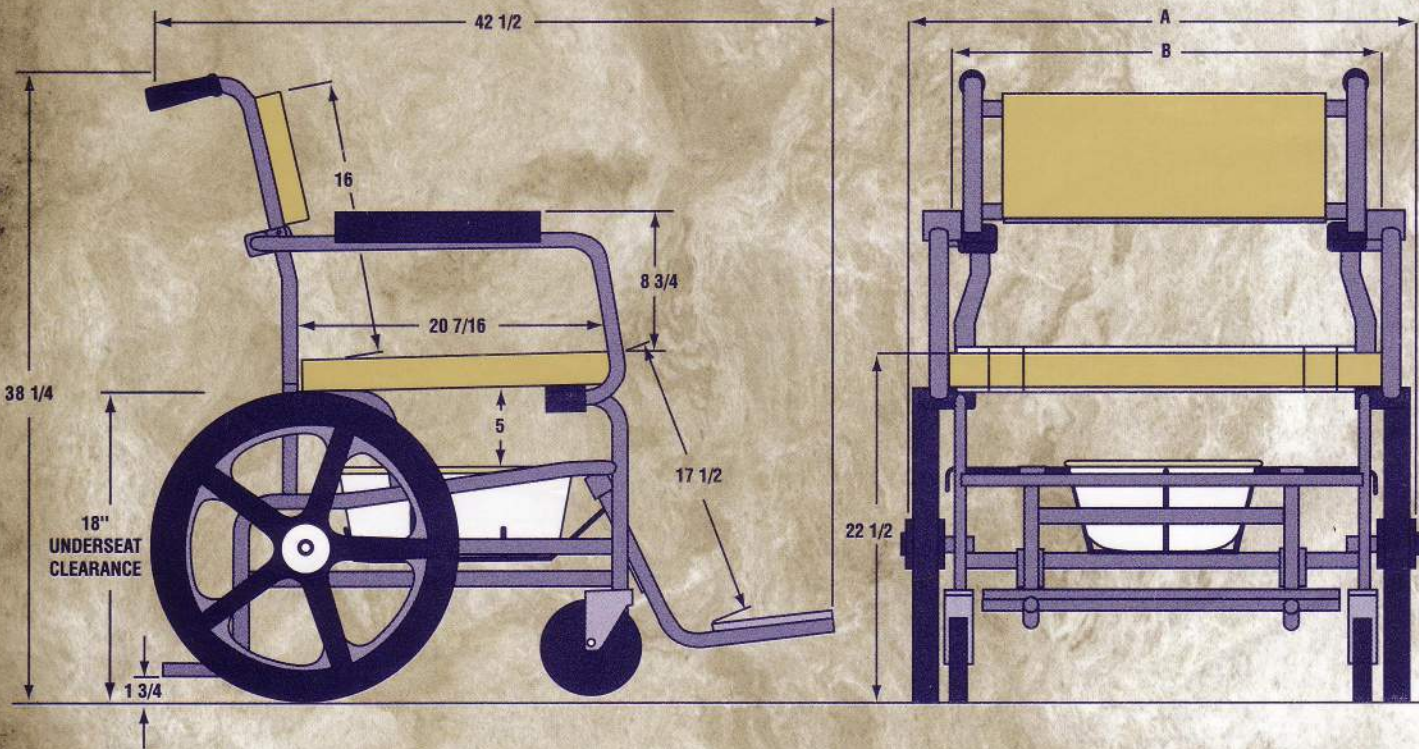
Visit our web site: www.activeaid.com
"The Gold Standard" since 1965

ACTIVEAID, Inc. 101 Activeaid Road, Box 359 Redwood Falls, Minnesota 56283-0359, U.S.A.
Call: 1-507-644-2951 Toll Free: 1-800-533-5330 FAX: 1-507-644-2468



MODEL #720 DIMENSIONS

| SEAT WIDTH | 20" | 22" | 24" | 26" |
|-----------------------------------|----------|----------|----------|----------|
| Dim. "A": Overall chair width | 26 1/8" | 28 1/8" | 30 1/8" | 32 1/8" |
| Dim. "B": Seat width between arms | 20 3/4" | 22 3/4" | 24 3/4" | 26 3/4" |
| Back height from seat | 16" | 16" | 16" | 16" |
| Seat Depth | 20 7/16" | 20 7/16" | 20 7/16" | 20 7/16" |
| Seat height from floor | 22 1/2" | 22 1/2" | 22 1/2" | 22 1/2" |
| Under seat clearance | 18" | 18" | 18" | 18" |
| Overall depth including footrest | 42 1/2" | 42 1/2" | 42 1/2" | 42 1/2" |
| Seat to top of arm height | 8 3/4" | 8 3/4" | 8 3/4" | 8 3/4" |
| Top of seat to footrest | 17 1/2" | 17 1/2" | 17 1/2" | 17 1/2" |



ACTIVEAID, Inc.
 101 Activeaid Road, Box 359
 Redwood Falls, Minnesota 56283-0359, U.S.A.
 Call: 1-507-644-2951
 Toll Free: 1-800-533-5330
 FAX: 1-507-644-2468

Distributed by

